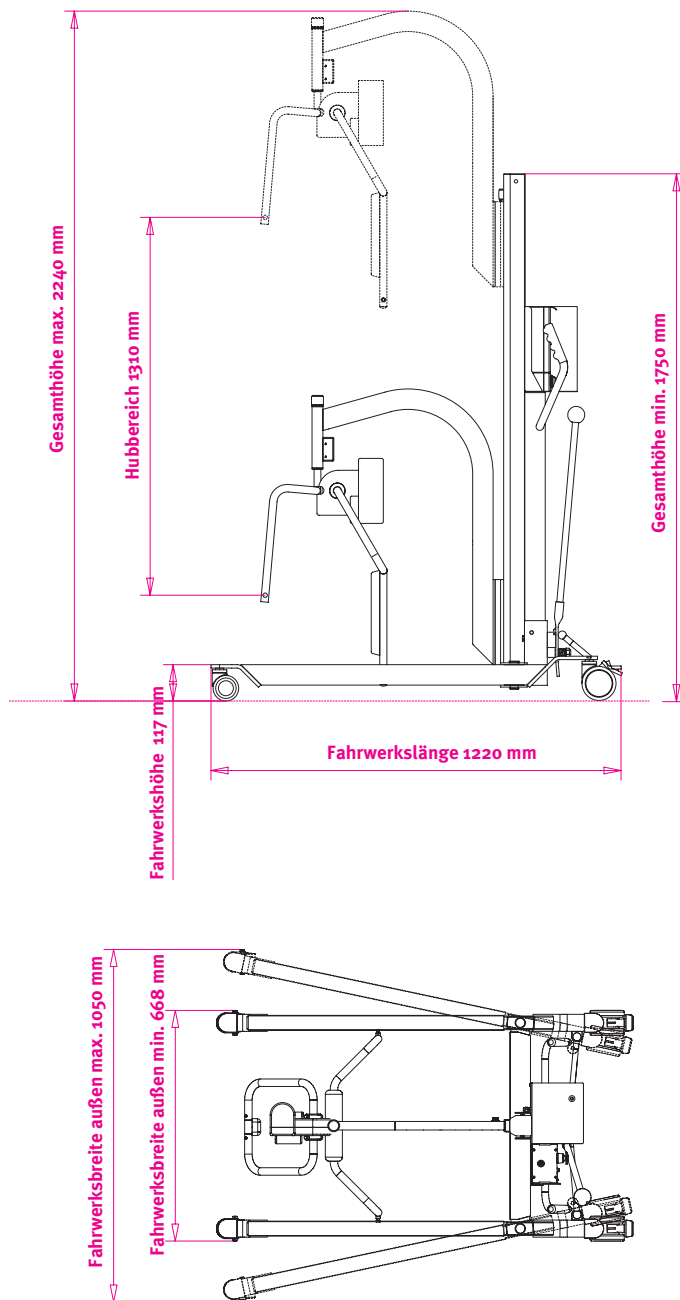


# LEXA – Technical Data Sheet



## LEXA – motorized spreader bar

### LEXA L

With motorized, adjustable spreader bar

Clip and loop attachment

Chassis length	1220 mm
Base width, external	668 mm / 1050 mm
Chassis height	117 mm
Total height min/max	1750 mm / 2240 mm
Lifting range	1310 mm
Battery capacity	24 V / 2.9 Ah
Patient weight max	160 kg

## LEXA – manual spreader bar

### LEXA L

Manual spreader bar adjustment

Clip attachment only

Chassis length	1220 mm
Base width, external	668 mm / 1050 mm
Chassis height	117 mm
Total height min/max	1750 mm / 2240 mm
Lifting range	1310 mm
Battery capacity	24 V / 2.9 Ah
Patient weight max	160 kg

## LEXA – Standard swivel boom

### LEXA L

With standard swivel boom

Loop attachment only

Chassis length	1220 mm
Base width, external	668 mm / 1050 mm
Chassis height	117 mm
Total height min/max	1750 mm / 2240 mm
Lifting range	1310 mm
Battery capacity	24 V / 2.9 Ah
Patient weight max	160 kg
As LEXA 600 version	250 kg

Please note: LEXA 600 has other dimensions!

