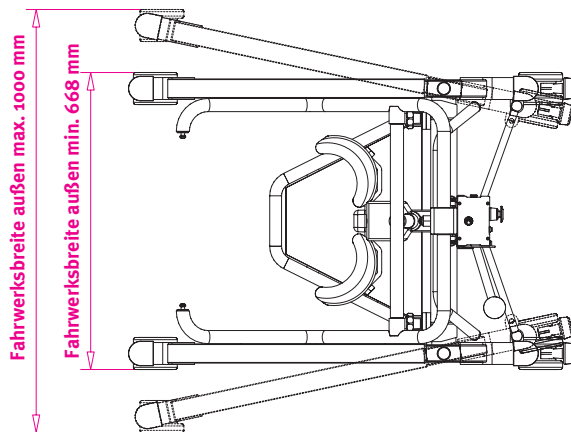
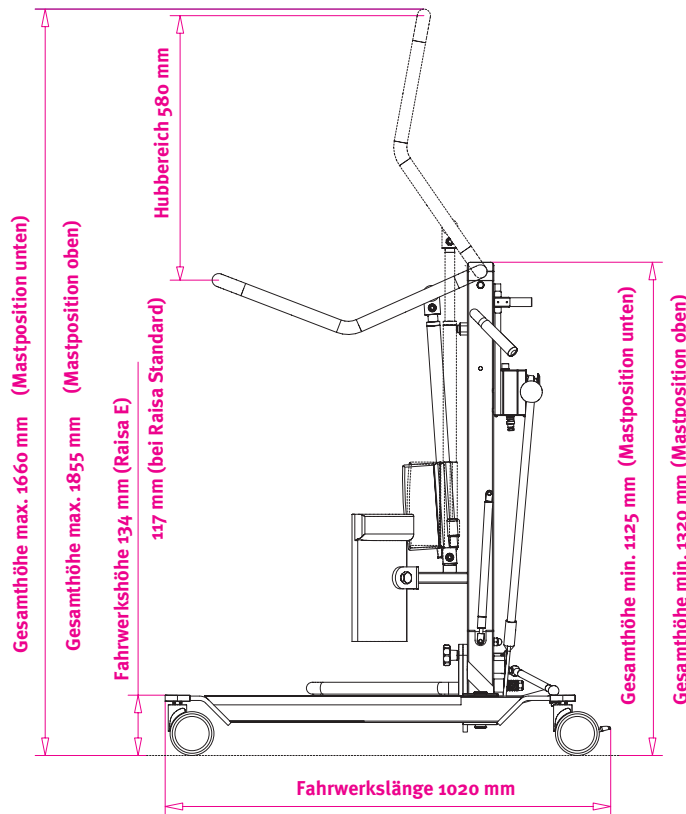


# RAISA – Technical Data Sheet



## RAISA – Standard

### RAISA Standard –

#### Manual height adjustment of the knee pads

Chassis length	1020 mm
Base width, external	668 mm / 1000 mm
Chassis height	117 mm
Total height min/max	1125 mm / 1855 mm
Lifting range	580 mm
Footplate adjustment	4-way
Battery capacity	24 V / 2.9 Ah
Patient weight max	160 kg

## RAISA E

### RAISA E –

#### Motorized height adjustment of the knee pads

Chassis length	1020 mm
Base width, external	668 mm / 1000 mm
Chassis height	134 mm
Total height min/max	1125 mm / 1855 mm
Lifting range	580 mm
Footplate adjustment	4-way
Battery capacity	24 V / 2.9 Ah
Patient weight max	160 kg

## RAISA Modell BAS

### RAISA Model BAS –

#### Motorized height and tilt adjustment of the knee pads

Chassis length	1020 mm
Base width, external	668 mm / 1000 mm
Chassis height	134 mm
Total height min/max	1125 mm / 1855 mm
Lifting range	580 mm
Footplate adjustment	4-way
Battery capacity	24 V / 2.9 Ah
Patient weight max	160 kg

