

# ORBIT® Patient Transfer Lift

## Technical Specifications

### TECHNICAL DATA

<b>APPLICATION:</b>	Residential & Institutional
<b>OPERATION:</b>	Lifting, transferring, and lowering users to and from specific, pre-identified locations
<b>U.S. PATENT:</b>	Patent Pending
<b>MOUNTING:</b>	Anchor to: (1) wall and floor; (2) ceiling and floor; or (3) ceiling, wall, and floor
<b>MOUNTING BOLT SIZE:</b>	7/16" (Length depends upon your specific mounting construction and installation hardware)
<b>CONTROL:</b>	Hand push and pull
<b>MATERIAL &amp; FINISH:</b>	Corrosion-resistant powder coated steel
<b>WARRANTY:</b>	5-Year Limited. Visit <a href="http://www.ezaccess.com">www.ezaccess.com</a> for complete warranty details

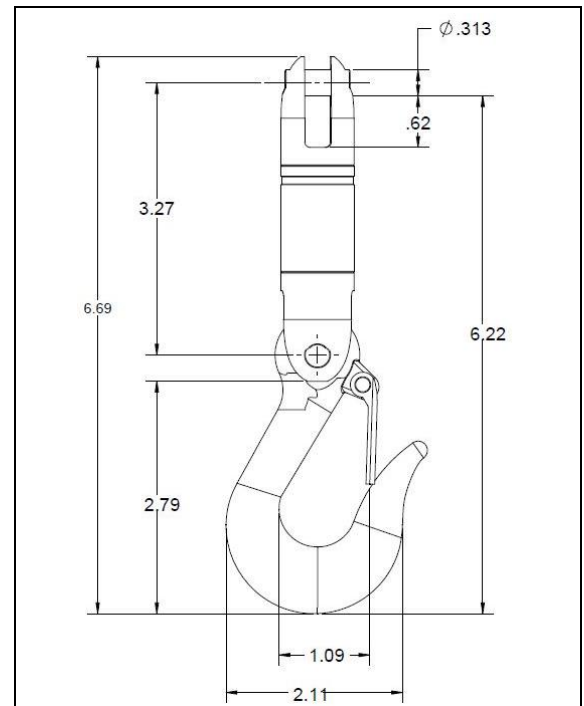
### WEIGHTS & DIMENSIONS

PART NO.:	ORBIT 04-0810	ORBIT 04-0812	ORBIT 05-0810	ORBIT 05-0812
<b>STANCHION WEIGHT:</b>	68 lbs.	76.5 lbs.	68 lbs.	76.5 lbs.
<b>ARTICULATING ARM WEIGHT:</b>	37.6 lbs.	37.6 lbs.	43 lbs.	43 lbs.
<b>TOTAL WEIGHT:</b>	105.6	114.1 lbs.	111 lbs.	119.5 lbs.
<b>CEILING HEIGHT RANGE:</b>	8'-10'	8'-12'	8'-10'	8'-12'
<b>RATED LOAD:</b>	440 lbs.			

*Weights and dimensions are intended for reference only. They are approximate and subject to change. Please consult EZ-ACCESS for certified drawings. Refer to instruction manual for complete information on rated load and proper usage.*

### SWIVEL AND HOOK (OPTIONAL EQUIPMENT)

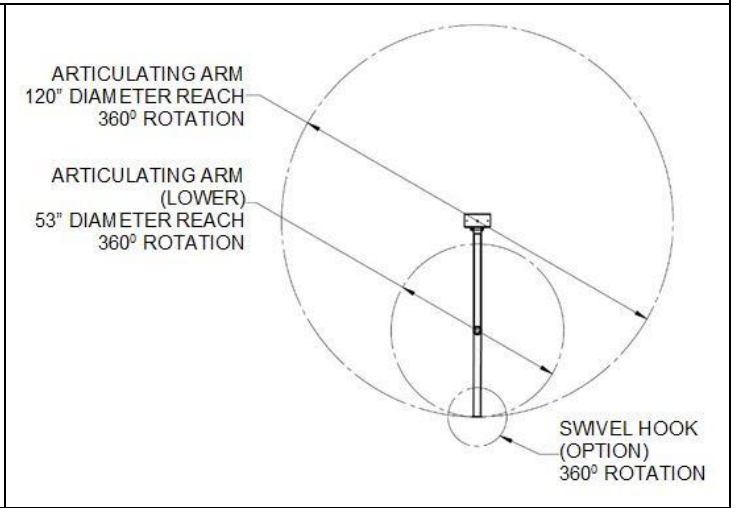
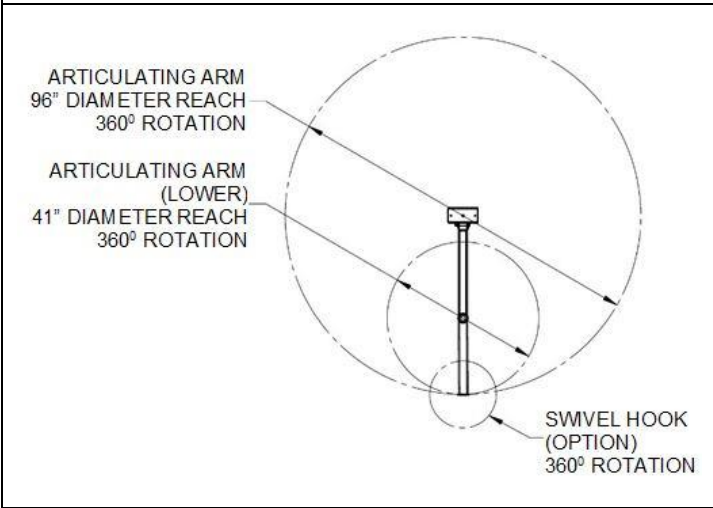
<b>PART NO.:</b>	ORBIT SH
<b>WEIGHT CAPACITY:</b>	440 lbs.
<b>APPLICATION:</b>	For lifting
<b>SWIVEL TYPE:</b>	Sealed Ball bearing
<b>SWIVEL ROTATION:</b>	360 degrees



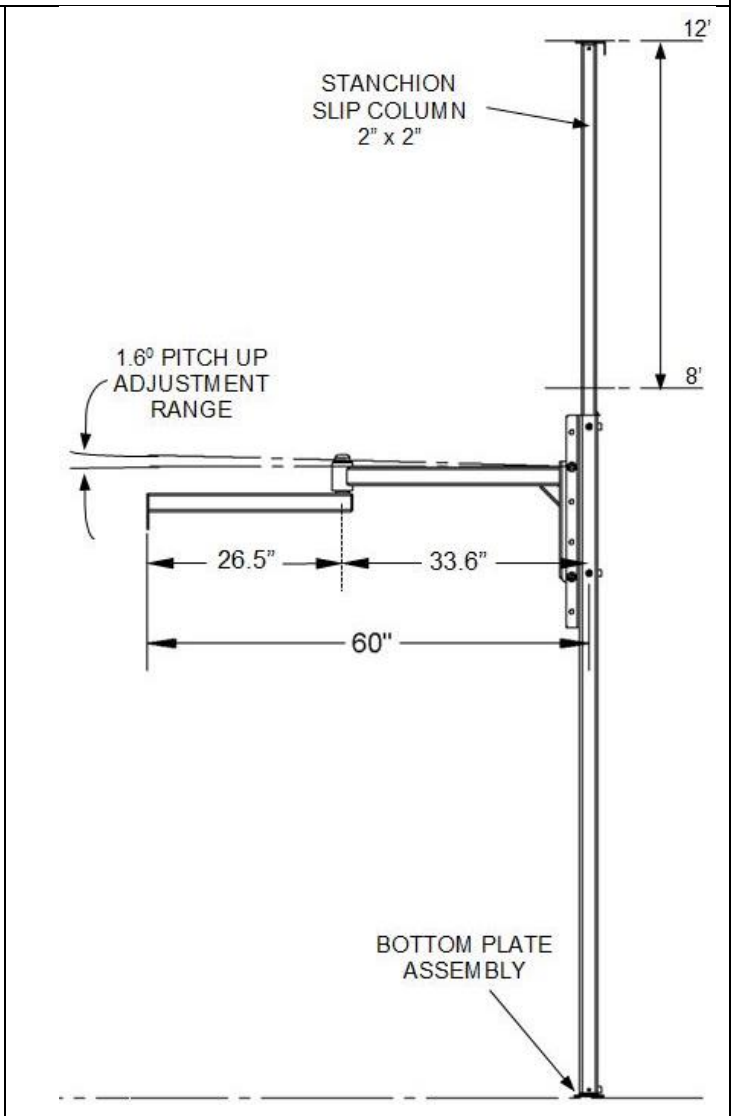
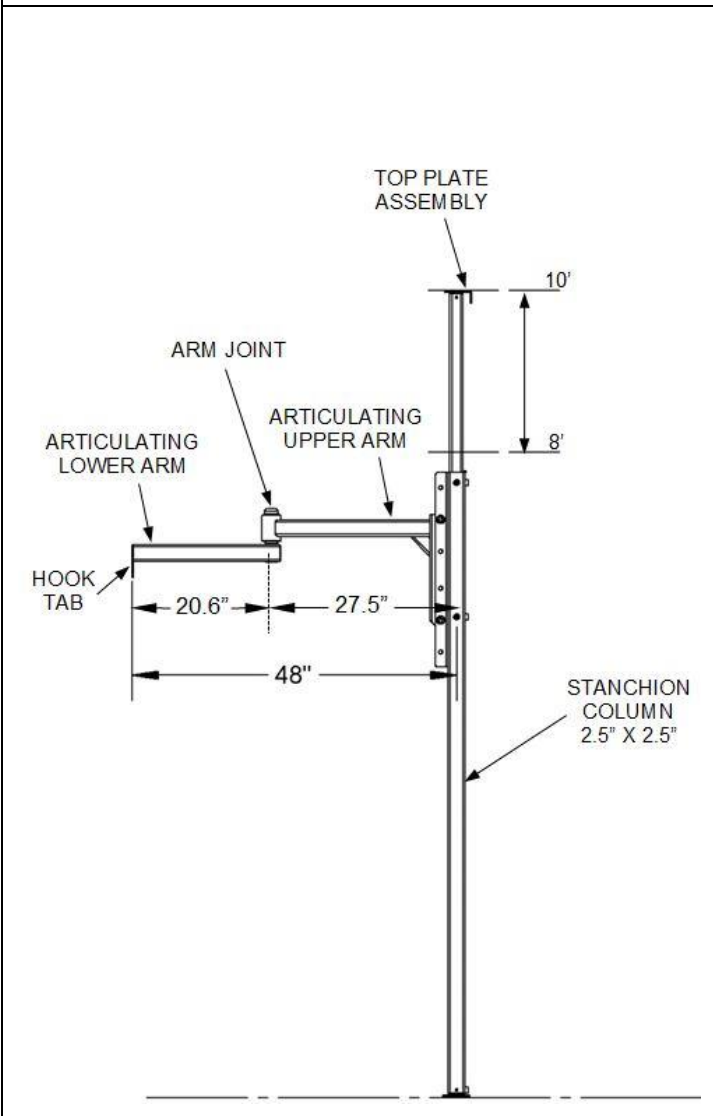
**4' ARTICULATING ARM w/ 8-10' STANCHION**

**5' ARTICULATING ARM w/ 8-12' STANCHION**

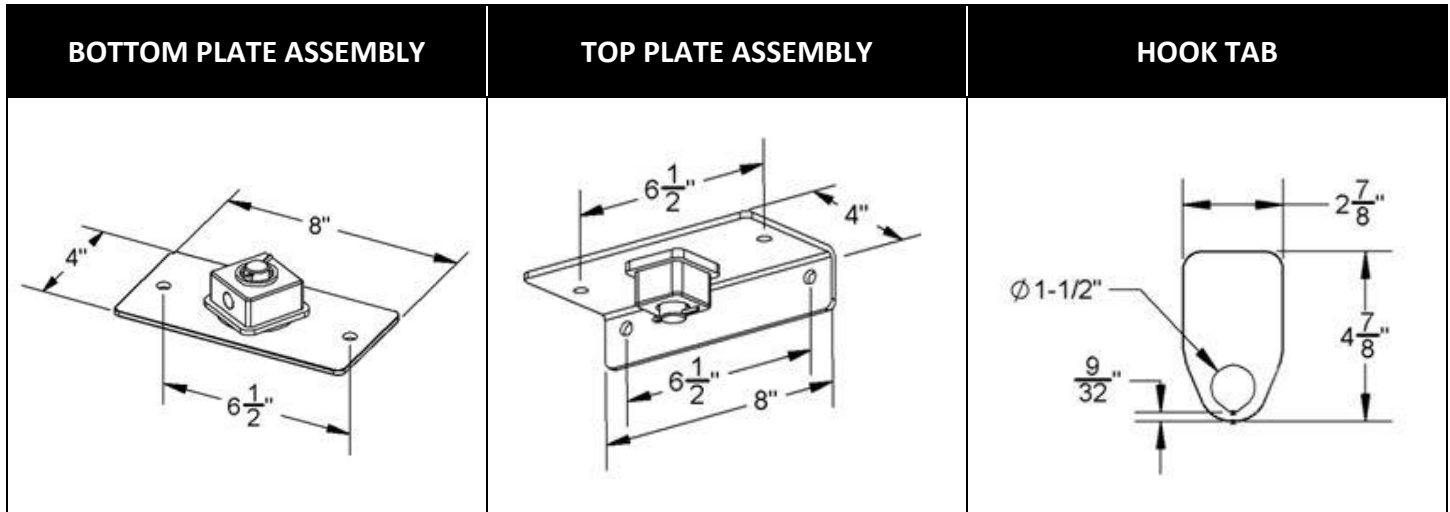
**PLAN (TOP) VIEW**



**ELEVATION (SIDE) VIEW**



# MOUNTING DIMENSIONS



## ADDITIONAL REFERENCE DIMENSIONS

ARTICULATING ARM POSITION	HOOK TAB TO FLOOR*	SWIVEL HOOK TO FLOOR**	ARM JOINT TO FLOOR***
Top	82.5625"	77"	92.321"
Middle	77.8125"	72.25"	87.571"
Bottom	73.0625"	67.5"	82.82"

- \* Hook tab measured from bottom of opening.
- \*\* Swivel hook measured from inside bottom of hook.
- \*\*\* Measured from top of arm joint to floor.